



Precision 2.92mm Male to 2.92mm Male Right Angle Adapter

TECHNICAL DATA SHEET

PE9645

Precision 2.92mm Male to 2.92mm Male Right Angle Adapter
Configuration

| | |
|----------------|-------------|
| Connector 1 | 2.92mm Male |
| Impedance 1 | 50 Ohms |
| Connector 2 | 2.92mm Male |
| Impedance 2 | 50 Ohms |
| Adapter Design | Precision |
| Body Style | Right Angle |

Electrical Specifications

| | |
|----------------------|----------|
| Frequency Range, GHz | DC to 40 |
| Maximum VSWR | 1.4:1 |

Mechanical Specifications
Size

| | |
|---------------------|--------------|
| Length, in [mm] | 0.69 [17.53] |
| Width/Dia., in [mm] | 0.312 [7.92] |
| Height, in [mm] | 0.66 [16.76] |

Connector 1

| | |
|---------------------------------------|--|
| Type | 2.92mm Male |
| Inner Conductor Material and Plating | Beryllium Copper, Gold |
| Inner Conductor Plating Specification | MIL-G-45204, Type II, Grade C, Class 1 |
| Coupling Nut Material and Plating | Passivated Stainless Steel |
| Coupling Nut Plating Specification | ASTM-A-967 |
| Hex Size, Inch | 5/16 |
| Torque, in-lbs [Nm] | 8 [0.9] |
| Body Material and Plating | Passivated Stainless Steel |
| Body Plating Specification | ASTM-A-967 |
| Dielectric Type | PPO |

Connector 2

| | |
|---------------------------------------|--|
| Type | 2.92mm Male |
| Inner Conductor Material and Plating | Beryllium Copper, Gold |
| Inner Conductor Plating Specification | MIL-G-45204, Type II, Grade C, Class 1 |
| Coupling Nut Material and Plating | Passivated Stainless Steel |
| Coupling Nut Plating Specification | ASTM-A-967 |
| Hex Size, Inch | 5/16 |
| Torque, in-lbs [Nm] | 8 [0.9] |
| Body Material and Plating | Passivated Stainless Steel |
| Body Plating Specification | ASTM-A-967 |
| Dielectric Type | PPO |

Click the following link (or enter part number in "SEARCH" on website) to obtain additional part information including price, inventory and certifications: [Precision 2.92mm Male to 2.92mm Male Right Angle Adapter PE9645](#)

The information contained in this document is accurate to the best of our knowledge and representative of the part described herein. It may be necessary to make modifications to the part and/or the documentation of the part, in order to implement improvements. Pasternack reserves the right to make such changes as required. Unless otherwise stated, all specifications are nominal.



Precision 2.92mm Male to 2.92mm Male Right Angle Adapter

TECHNICAL DATA SHEET

PE9645

Compliance Certifications (visit www.Pasternack.com for current document)

RoHS Compliant

Yes

Plotted and Other Data

Notes:

Values at 25 °C, sea level

URL: <http://www.pasternack.com/2.92mm-male-2.92mm-male-right-angle-adapter-pe9645-p.aspx>

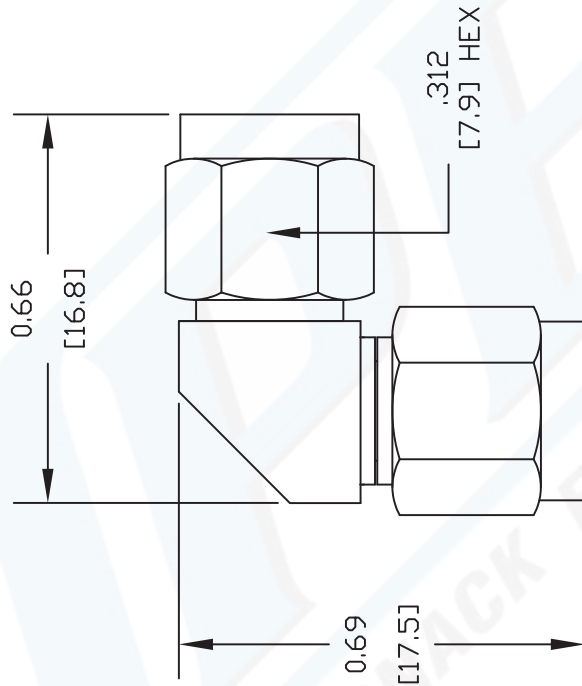
Precision 2.92mm Male to 2.92mm Male Right Angle Adapter from Pasternack Enterprises has same day shipment for domestic and International orders. Our RF, microwave and fiber optic products maintain a 99% availability and are part of the broadest selection in the industry.

The information contained in this document is accurate to the best of our knowledge and representative of the part described herein. It may be necessary to make modifications to the part and/or the documentation of the part, in order to implement improvements. Pasternack reserves the right to make such changes as required. Unless otherwise stated, all specifications are nominal.



PE9645 CAD Drawing

Precision 2.92mm Male to 2.92mm Male Right Angle Adapter



NOTES:
 1. UNLESS OTHERWISE SPECIFIED ALL DIMENSIONS ARE NOMINAL.
 2. ALL SPECIFICATIONS ARE SUBJECT TO CHANGE WITHOUT NOTICE AT ANY TIME.
 3. DIMENSIONS ARE IN INCHES (mm).

DWG TITLE
PE9645

PASTERNAK ENTERPRISES, INC.
 P.O. BOX 16759, IRVINE, CA 92623
 PHONE (949) 261-1920 FAX (949) 261-7451
 WEB ADDRESS: www.pasternack.com
 E-MAIL ADDRESS: sales@pasternack.com
COAXIAL & FIBER OPTICS



| | | | | | |
|--------|----------------|-----------------|-----------|--------|-----|
| REV. A | FSCM NO. 53919 | CAD FILE 032811 | SCALE N/A | SIZE A | 127 |
|--------|----------------|-----------------|-----------|--------|-----|